

# Cutting

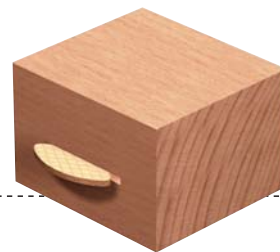
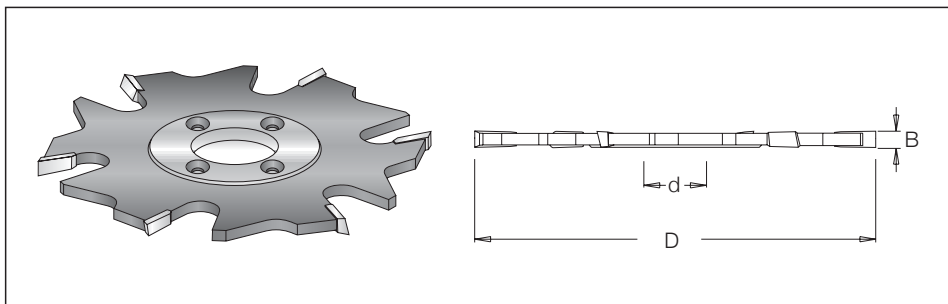


Grooving   Rebating   Planing   Profiling   Jointing   Frame & Panel door   **Lamello**   Multi Profile system



## Lamello - Biscuit Jointer Cutter

Hard wearing steel tool body complete with six tungsten carbide tips (two positive and four negative angle). Suitable for producing grooves and slots in softwood, hardwood and man-made boards for biscuit jointing. For use with most biscuit jointing machines.

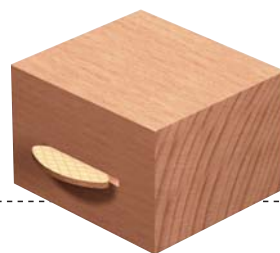
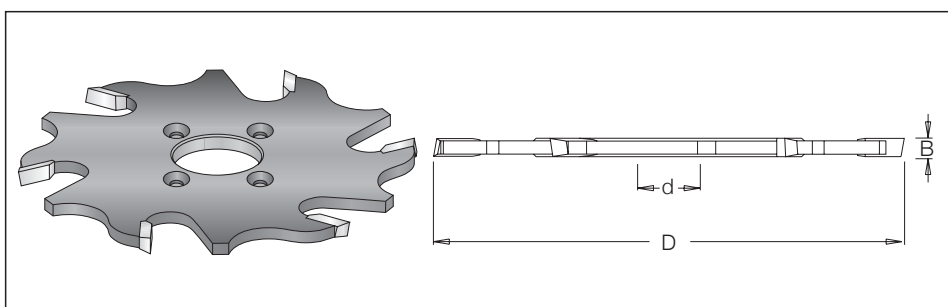


$\varnothing D$	B	Code No.	Teeth	$\varnothing d$	n
100	4	707 200 4	6	22	7,600 - 13,400

**!** Cutter for joining Lamello. The width of the cutter is suited to the original Lamello joint plates. The size of the Lamello joint plates determine the depth of the penetration.  
2 Teeth positive angle.  
4 Teeth negative angle.

## Lamello - Biscuit Jointer Cutter

Hard wearing steel tool body complete with six tungsten carbide tips (two positive and four negative angle). Suitable for producing grooves and slots in softwood, hardwood and man-made boards for biscuit jointing. For use with most biscuit jointing machines.



$\varnothing D$	B	Code No.	Teeth	$\varnothing d$	n
100	4	707 202 4	6	22	7,600 - 13,400

**!** Cutter for joining Lamello. The width of the cutter is suited to the original Lamello joint plates. The size of the Lamello joint plates determine the depth of the penetration.  
All Teeth positive angle.

# Cutting

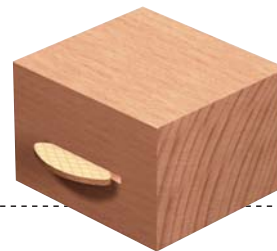
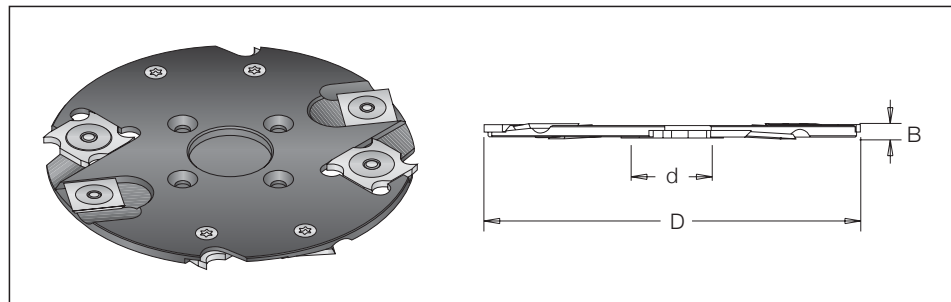


Grooving   Rebating   Planing   Profiling   Jointing   Frame & Panel door   **Lamello**   Multi Profile system



## Lamello - Biscuit Jointer Cutter

Hard wearing steel body complete with disposable tungsten carbide knives and scorers. Suitable for producing grooves and slots in softwood, hardwood and man-made boards for biscuit jointing. For use with most biscuit jointing machines.



EN847  
EN847-1  
EN847-2

Hand  
feed

$\varnothing D$	B	Code No.	Teeth	$\varnothing d$	n
100	4	721 020 4	4+4	22	7,700 -15,000

### Spare parts:

T.C. Blade	T.C. Blade	T.C. Blade Nut	T.C. Blade Nut	Torx screw	Torx key
#300 850 1	#300 850 2	#192 350 0	#192 360 0	#193 028 0	194 110 0
18x18x2	14x14x1.2	M4x0.5x11	M4x0.5x9.9	M4x3.2	T9

Index

Sawing

CNC

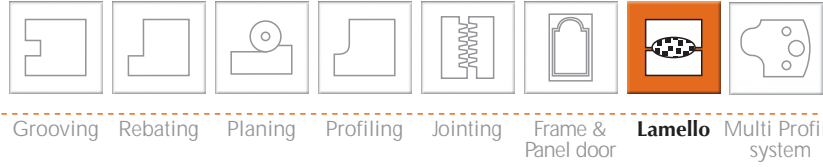
Cutting

Drilling

Routing

Custom Tooling

# Cutting

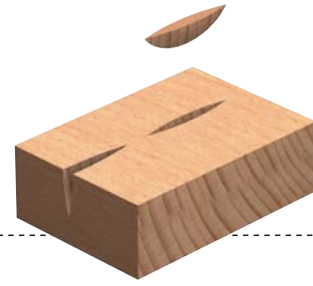
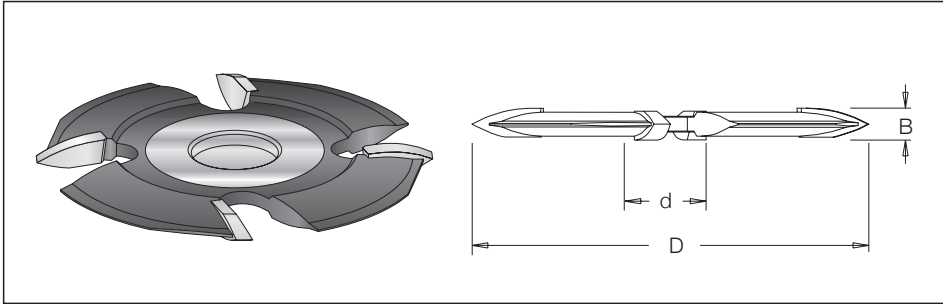


Grooving    Rebating    Planing    Profiling    Jointing    Frame & Panel door    **Lamello**    Multi Profile system



## Lamello - Resin Pocket Cutters

Hard wearing steel tool body complete with four tungsten carbide tips. Suitable for producing grooves and slots in softwood and hardwood for hiding ugly resin spots or knots.

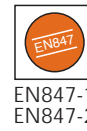
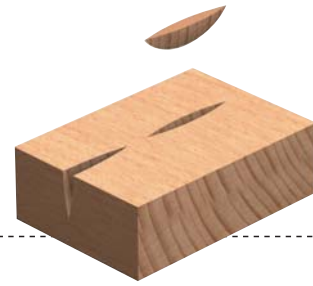
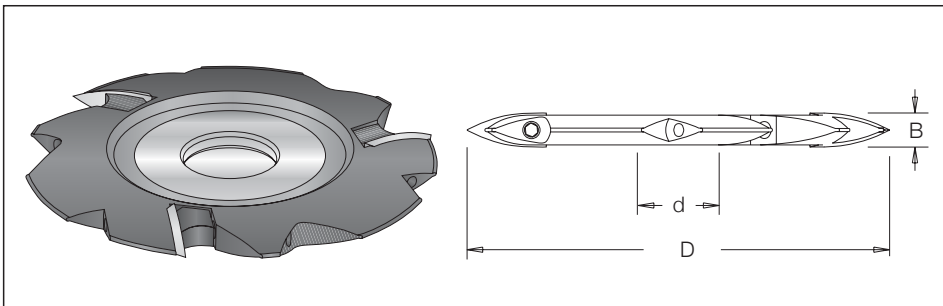


øD	B	Code No.	Teeth	ød	n
100	8	707 520 4	4	22	7,700 - 15,000
	15	707 525 4	4	22	7,500 - 13,400

Cutter for manual feed. Mini-spot cutters designed for cutting out the resin pockets.

## Lamello - Resin Pocket Cutters

Hard wearing steel tool body complete with three disposable tungsten carbide knives. Suitable for producing grooves and slots in softwood and hardwood for hiding ugly resin spots or knots.



øD	B	Code No.	Teeth	ød	n
100	8	721 025 4	3	22	7,700 - 15,000

### Spare parts:

T.C. Blade	Wedge	Allen screw	Allen key
#310 858 2	#199 031 2	#193 060 0	#194 008 0
8x20x2	L = 6	M5x16	S2.5