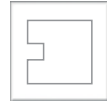
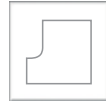




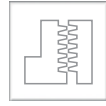
CNC



Grooving & Sizing



Profiling & Chamfering



Jointing & Rebating



Frame & Panel door



Carving

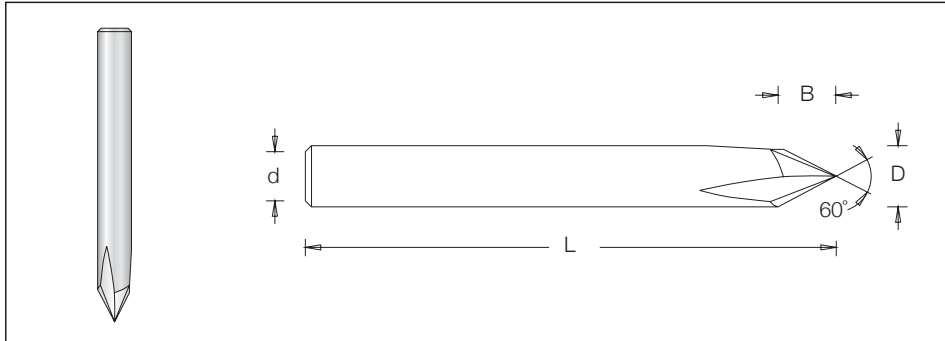


Clamping Systems & Adapters

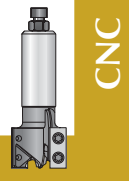


Solid Carbide Grooving and Engraving

Solid tungsten carbide router cutter complete with three flute. Suitable for producing v-grooves in softwood, hardwood or man-made boards. Tool designed for engraving and sign writing. For use on routers and machining centres with or without CNC control.

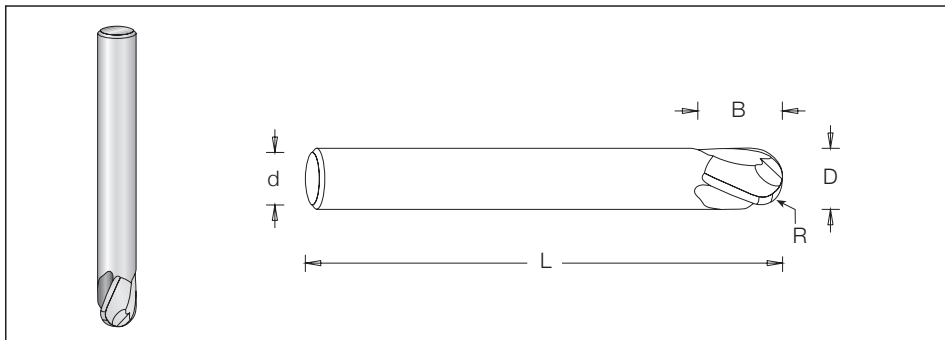


$\varnothing D$	a	Code No.	B	L	$\varnothing d$
8	60°	so105 315 5	7	70	8

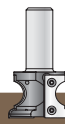
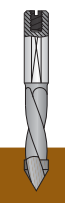
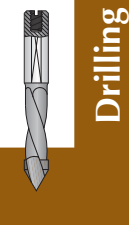
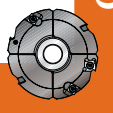
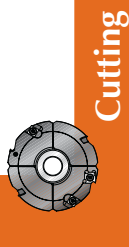


Solid Carbide Radius Grooving

Solid tungsten carbide router cutter complete with three flute. Suitable for producing v-grooves in softwood, hardwood or man-made boards. Tool designed for engraving and sign writing. For use on routers and machining centres with or without CNC control.



$\varnothing D$	R	Code No.	B	L	$\varnothing d$
6	3	so106 304 3	9	60	6
8	4	so106 308 5	11	70	8
10	5	so106 309 7	13	80	10



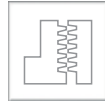
CNC



Grooving & Sizing



Profiling & Chamfering



Jointing & Rebating



Frame & Panel door



Carving

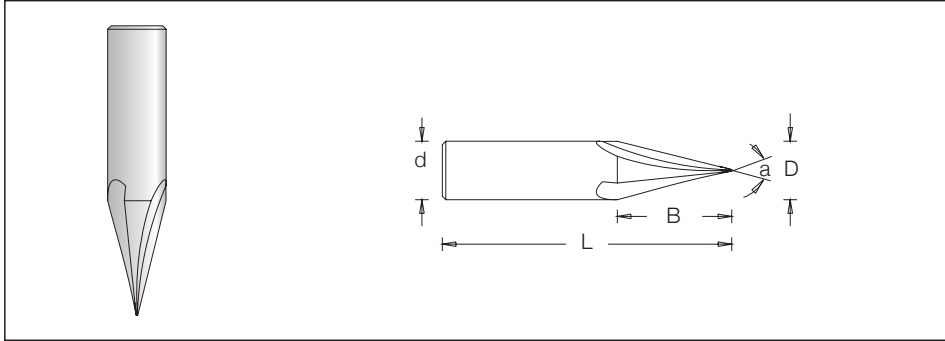


Clamping Systems & Adapters



Solid Carbide Grooving and Engraving

Solid tungsten carbide router cutter complete with three flute. Suitable for producing v-grooves in softwood, hardwood or man-made boards. Tool designed for engraving and sign writing. For use on routers and machining centres with or without CNC control.

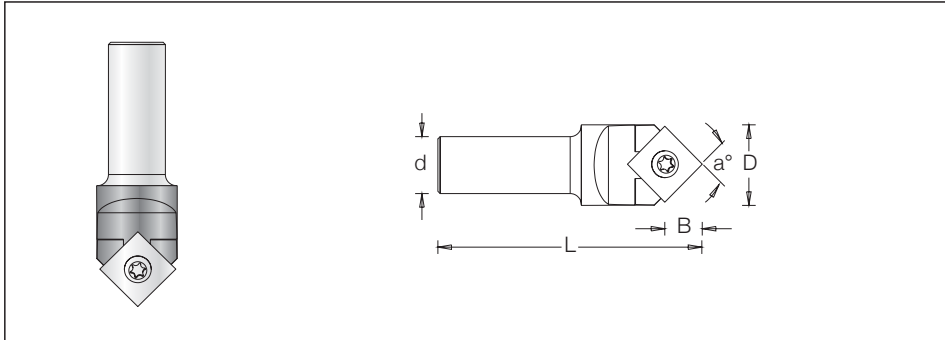


øD	a	Code No.	B	L	ød
12	30°	SO 105 320 9	23	57	12
12	40°	SO 105 325 9	17	57	12



Grooving and Engraving Router Cutter

Disposable insert router complete with one cutting flute designed to engraving on solid wood, hardwood and manmade boards.



øD	a	Code No.	B	L	ød
17	45°	105 350 9	8.4	59	12

Spare Parts:



T.C. Blade
#310 121 2
12X12X1.5



Torx screw
#193 364 8
M3.5x4.8



Torx key
#194 101 5
T15

