

Cutting

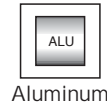
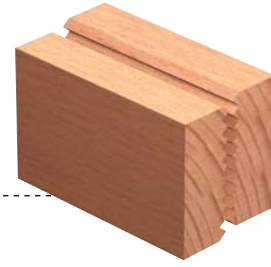
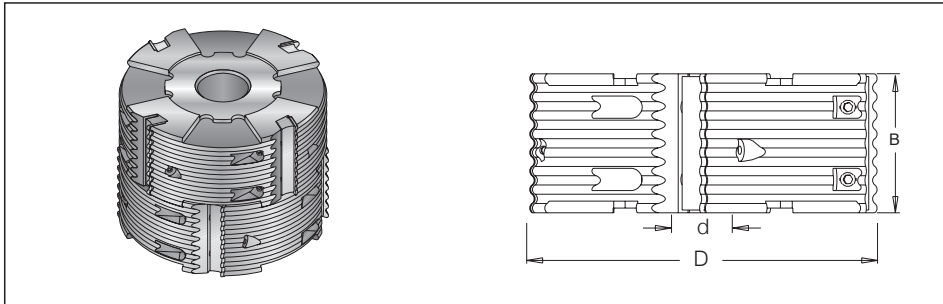


Grooving Rebating Planing Profiling **Jointing** Frame & Panel door Lamello Multi Profile system



Sectional wave cutter head with TC disposable blades

Hard wearing aluminum body complete with disposable TC knives suitable for producing wave shape glue joint on a soft wood, hard wood and man made boards. Cutting height to be chosen and assembled.



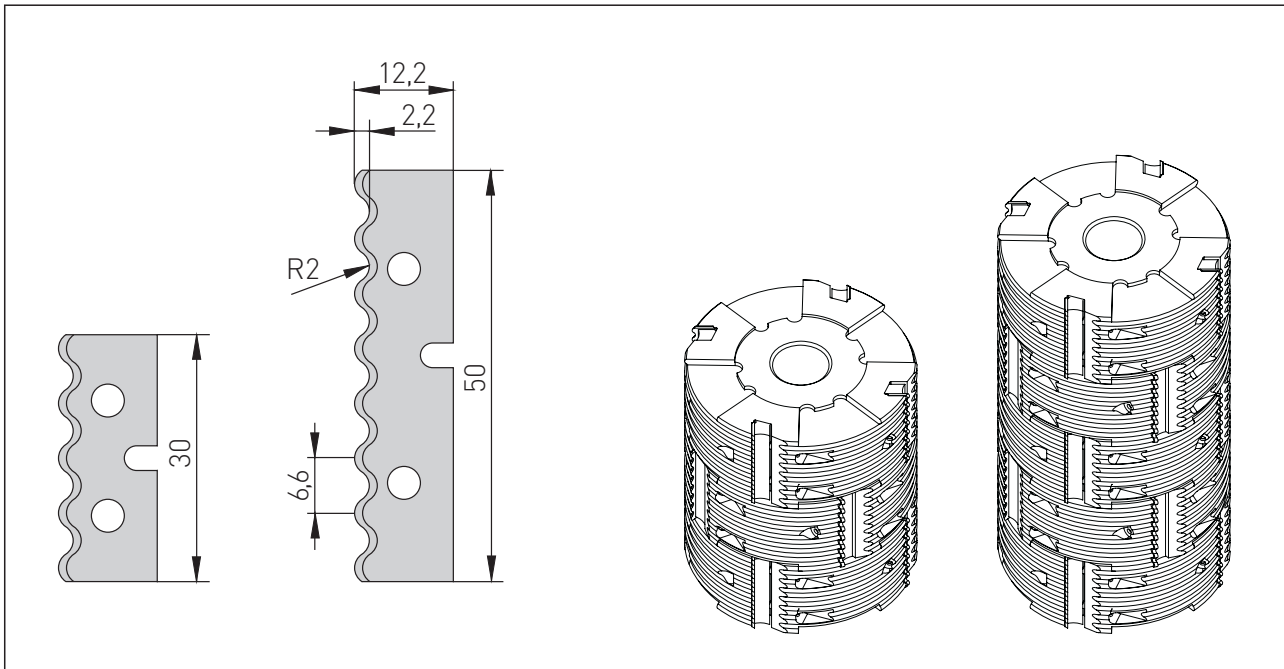
$\varnothing D$	B	Code No.	Teeth	$\varnothing d$	n
125	30	741 402 1	2	30	6,100 - 10,300
125	50	741 404 1	2	30	6,100 - 10,300
125	30	741 406 1	4	30	6,100 - 10,300
125	50	741 408 1	4	30	6,100 - 10,300

Spare parts:



B= 30	T.C. BLADE	Wedge	Allen screw	Allen key
	#310 888 5	#199 049 4	#193 026 5	#194 003 5
	30X12X1.5	L=28	M6x16	S3

B= 50	T.C. BLADE	Wedge
	#310 886 5	#199 049 5
	50X12X1.5	L=48



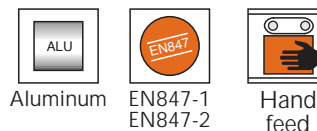
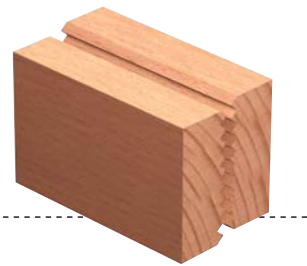
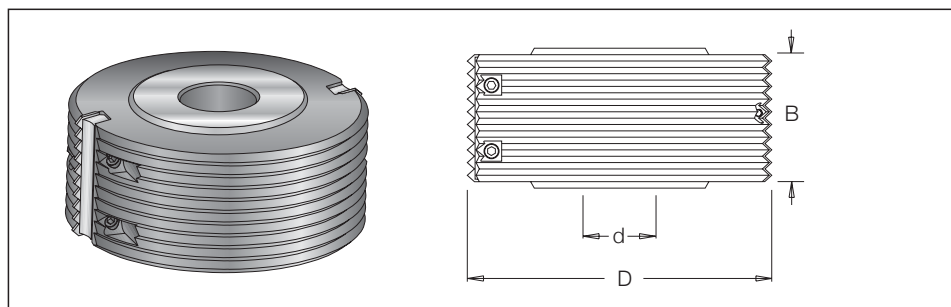
Cutting



Grooving Rebating Planing **Profiling** **Jointing** Frame & Panel door Lamello Multi Profile system

Glue Joint Cutter

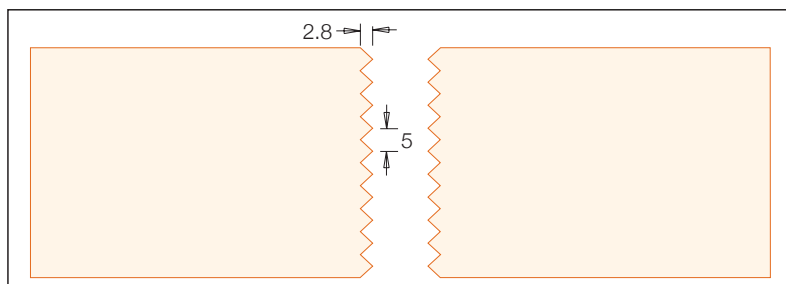
Cutterhead bodies in hard wearing aluminium, complete with disposable tungsten carbide knives. Suitable for producing glue joints in softwood, hardwood and man-made boards on a spindle moulder.



øD	B	Code No.	ød	n
90	50	741 000 1	30	8,500 - 12,000
120	50	741 001 1	30	6,100 - 10,000

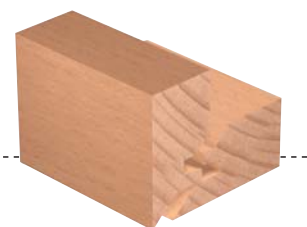
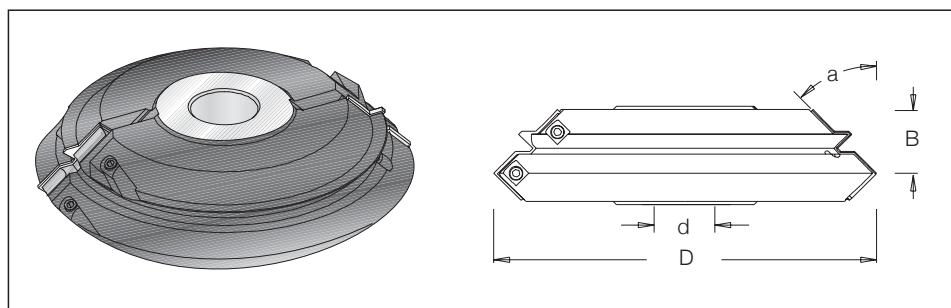
Spare parts:

T.C. Blade #310 850 7 50x12x1.5	Wedge #199 049 5 L=48	Allen screw #193 049 5 M6x12	Allen key 194 003 5 S3



Disposable Insert 45° Mitre Lock Cutter

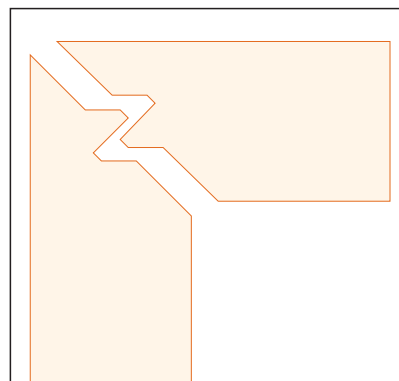
Hard wearing aluminium body complete with two disposable tungsten carbide knives. Suitable for producing 45° mitre lock joints in softwood, hardwood and man-made boards on a spindle moulder. Can also be used for jointing horizontal pieces of timber.



øD	B	a	Code No.	Teeth	ød	n
170	28	45°	741 003 1	2	30	5,200 - 9,000

Spare parts:

T.C. Blade #372 356 0 40x23x2	Wedge #199 041 0 L=38	Allen screw #193 026 0 M6x16	Allen key #194 003 5 S3



Cutting

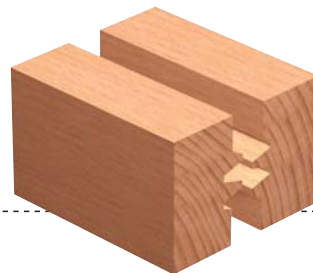
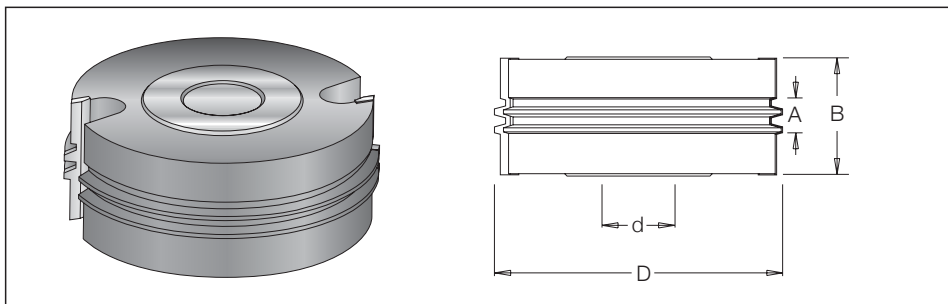


Grooving Rebating Planing **Profiling** **Jointing** Frame & Panel door Lamello Multi Profile system

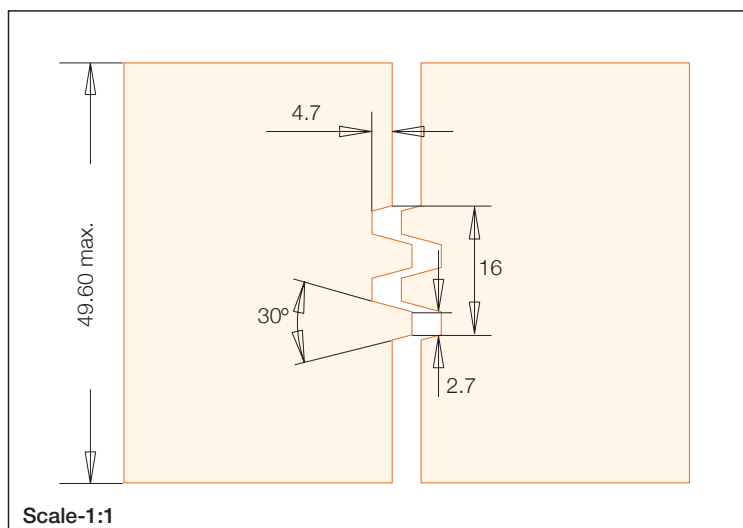


Glue Joint Cutter

Cutterhead bodies available in hard wearing steel, complete with tungsten carbide braze tips. Suitable for producing 'finger style' reversible glue joints in softwood, hardwood and man-made boards on a spindle moulder.



$\varnothing D$	B	Code No.	Profile	A	$\varnothing d$	n
125	50	710 720 1	2	16	30	6,100 - 10,500



Index

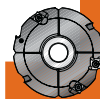
Sawing



CNC



Cutting



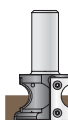
Drilling



Routing



Custom Tooling



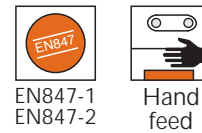
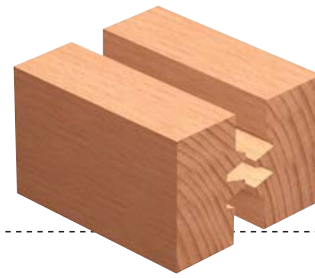
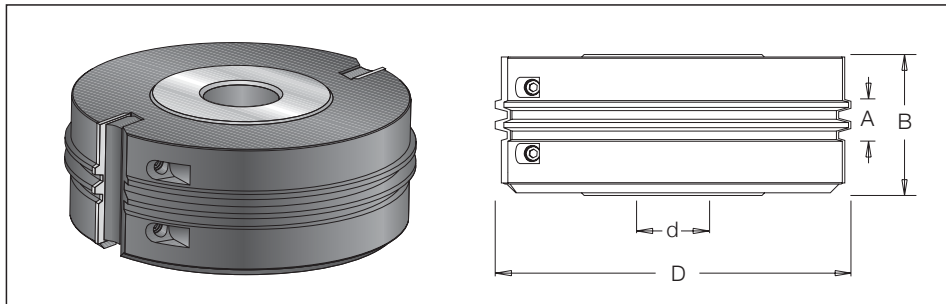
Cutting



Grooving Rebating Planing Profiling **Jointing** Frame & Panel door Lamello Multi Profile system

Glue Joint Cutter

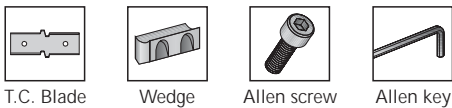
Cutterhead bodies in hard wearing steel and aluminium complete with disposable tungsten carbide knives. Suitable for producing 'finger style' reversible glue joints in softwood, hardwood and man-made boards on a spindle moulder.



øD	B	Code No.	Profile	A	ød	n
120	60	741 004 1 *	1	8.0	30	6,500 - 9,500
	50	741 006 1	2	16.0	30	5,400 - 8,800
140	60	741 005 1	3	24.0	30	5,400 - 8,800

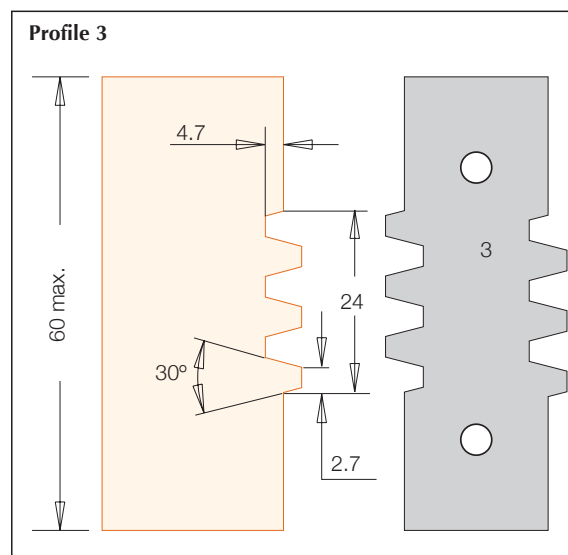
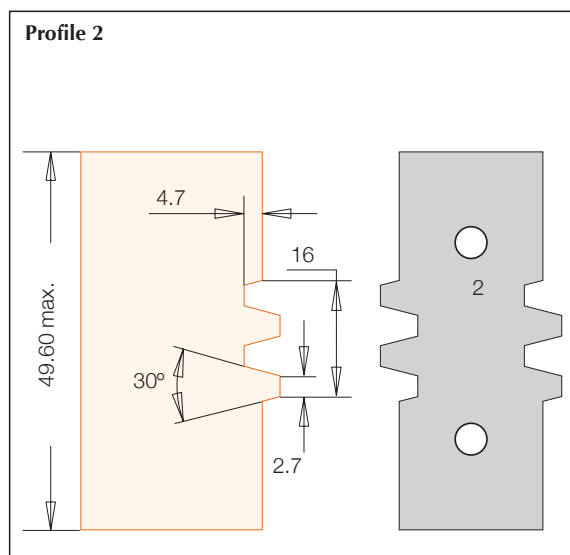
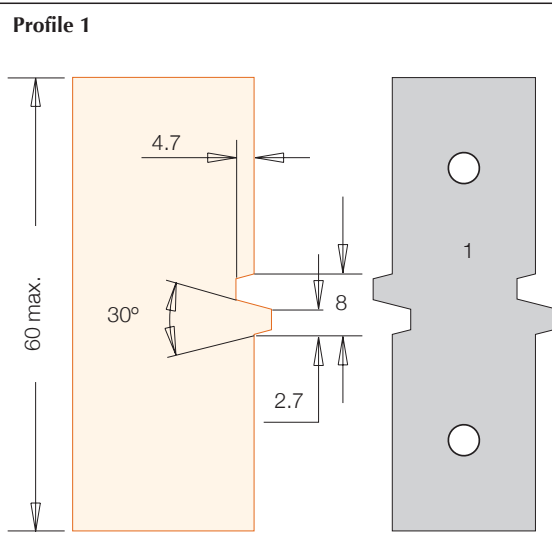
⚠ * Aluminum

Spare parts:



T.C. Blade Wedge Allen screw Allen key

	T.C. Blade	Wedge	Allen screw	Allen key
1 Teeth	#310 855 1 60x24x2	#199 037 2 L=58	#193 026 5 M6x16	#194 003 5 S3
2 Teeth	#310 855 2 50x24x2	#199 037 3 L=48	#193 026 5 M6x16	#194 003 5 S3
3 Teeth	#310 850 1 60x24x2	#199 037 2 L=58	#193 026 5 M6x16	#194 003 5 S3



Scale-1:1

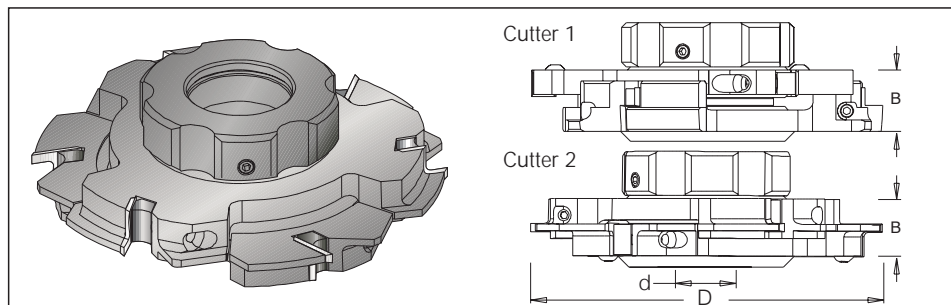
Cutting



Grooving Rebating Planing Profiling **Jointing** Frame & Panel door Lamello Multi Profile system

Adjustable Tongue & Groove Cutter

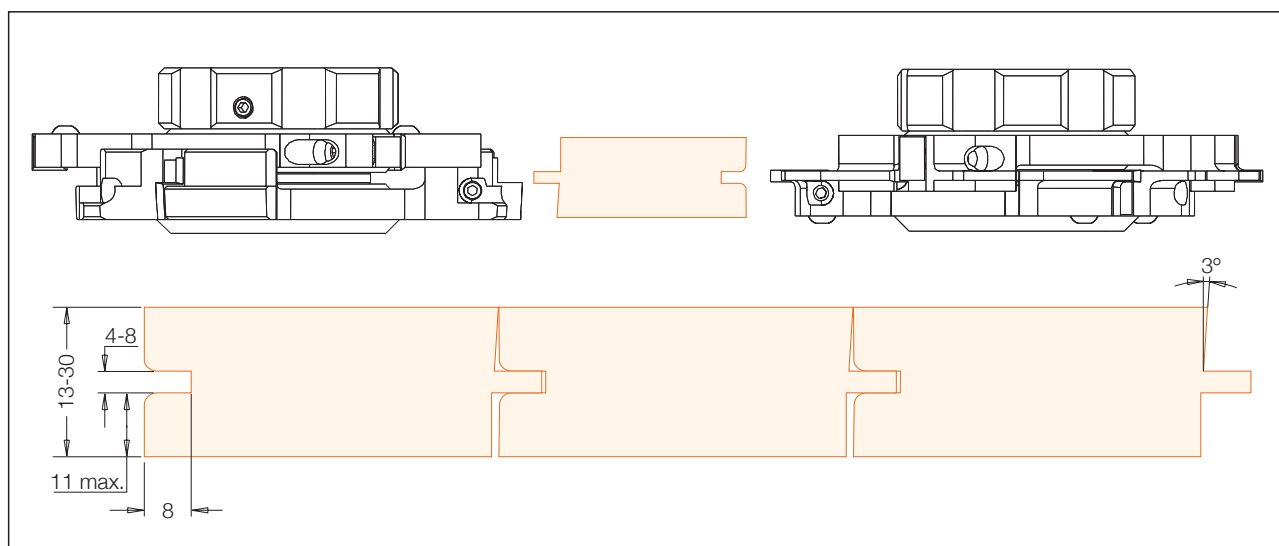
hard wearing steel body, complete with tungsten carbide knives profiling. suitable for working in a softwood, hardwood and man-made boards on multi spindle moulder.



	øD	B	Code No.	Teeth	ød	n
Set No.			741 360 9			
Cutter 1	160	28-32	741 361 9	3+3	40	4,800 - 8,300
Cutter 2	160	26.5-30.5	741 362 9	3+3	40	4,800 - 8,300

Spare parts:

Cutter 1						
	T.C. Blade #310 121 2 12x12x1.2	T.C. Blade #310 836 0 20x20x2	Wedge #199 032 9 L=10	Wedge #199 033 1 L=19	Allen screw #193 026 5 M6x16	Allen key #194 003 5 S3
Cutter 2						
	T.C. Blade #310 836 2 15x20x2	T.C. Blade #310 836 1 15x20x2	Wedge #199 032 6 L=14			



Index

Sawing

CNC

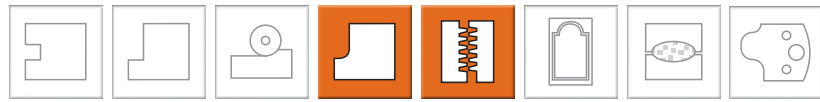
Cutting

Drilling

Routing

Custom Tooling

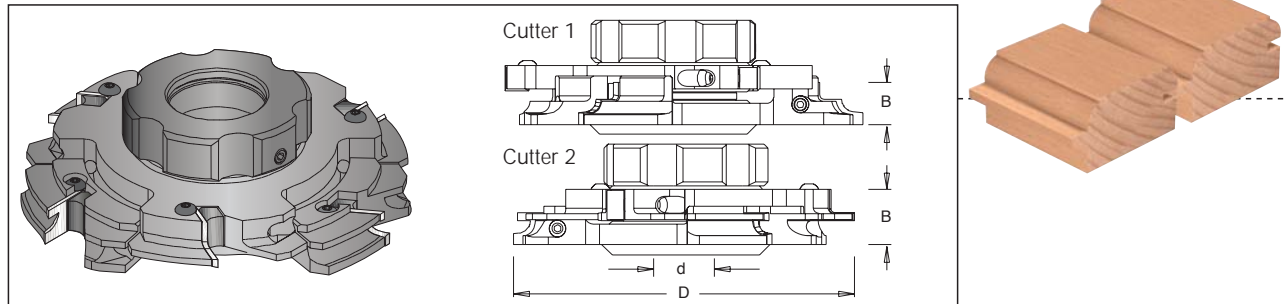
Cutting



Grooving Rebating Planing **Profiling** **Jointing** Frame & Panel door Lamello Multi Profile system

Adjustable Tongue & Groove Cutter

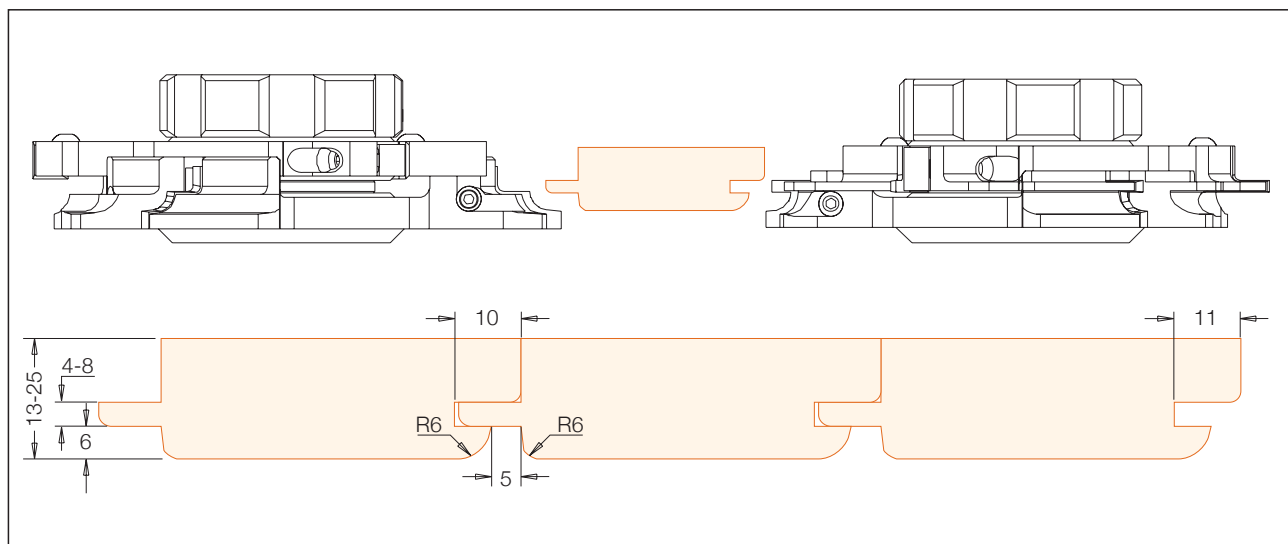
hard wearing steel body, complete with tungsten carbide knives profiling. suitable for working in a softwood, hardwood and man-made boards on multi spindle moulder.



	øD	B	Code No.	Teeth	ød	n
Set No.			741 370 9			
Cutter 1	180	28-32	741 363 9	3+3	40	4,300 - 7,500
Cutter 2	164	26-30	741 364 9	3+3	40	4,800 - 8,300

Spare parts:

Cutter 1	T.C. Blade #310 121 2 12x12x1.2	T.C. Blade #311 733 0 35x20x2	Wedge #199 032 9 L=10	Wedge #199 033 1 L=19	Allen screw #193 026 5 M6x16	Allen key #194 003 5 S3
Cutter 2	T.C. Blade #310 836 4 15x25x2	T.C. Blade #311 733 1 15x25x2	Wedge #199 032 5 L=14			



Index

Sawing

CNC

Cutting

Drilling

Routing

Custom Tooling