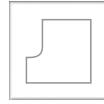




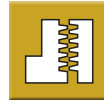
CNC



Grooving & Sizing



Profiling & Chamfering



Jointing & Rebating



Frame & Panel door



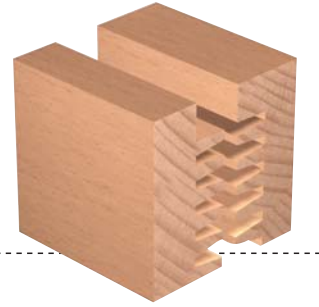
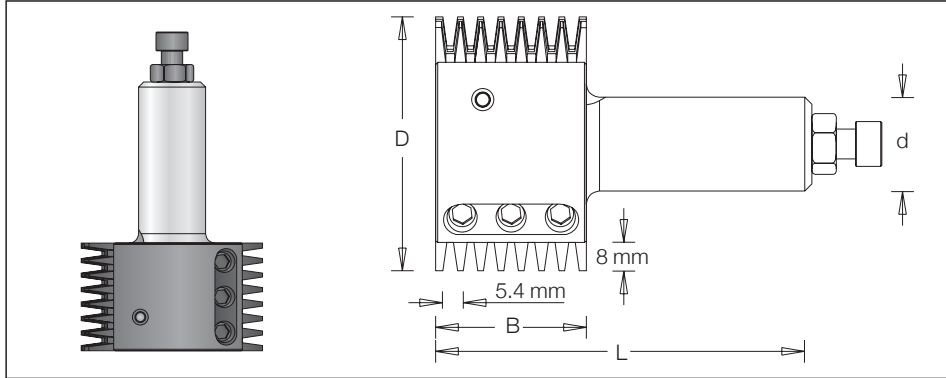
Carving



Clamping Systems & Adapters

Finger Joint Router Cutter

Disposable insert finger jointing router cutter complete with two cutting flutes. Suitable for producing finger joints in softwoods, hardwoods and man-made boards. For use on routers and machining centres with CNC control.



| $\varnothing D$ | Code No. | B | L | $\varnothing d$ | n |
|-----------------|-----------|----|-----|-----------------|--------|
| 70 | 856 011 0 | 40 | 100 | 25 | 12,000 |

⚠ Also available with 20 mm diameter shank.

Spare Parts:



T.C. Blade
315 650 2
40x28x1.5



Supporting plate
199 110 1
40x22.5x4



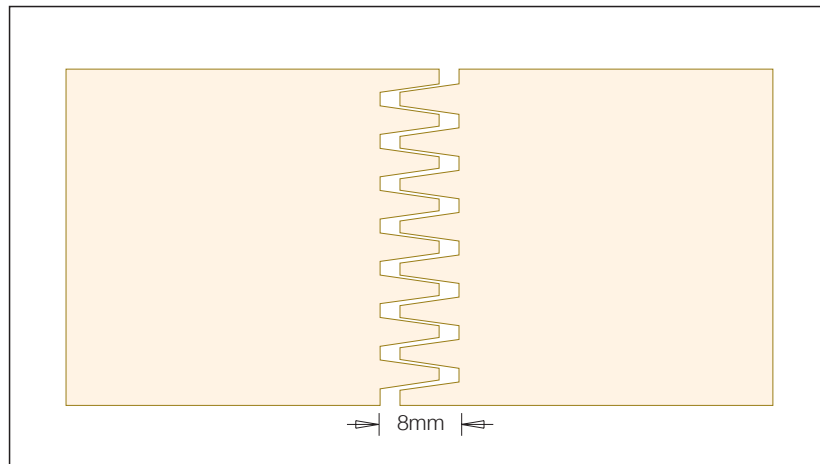
Allen screw
193 040 0
M8x10



Wedge
199 022 0
40x13.5x8



Allen key
194 015 0
S-4



Index

Sawing

CNC

Cutting

Drilling

Routing

Custom Tooling