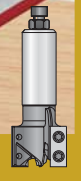


Index

Sawing



CNC



Cutting



Planing Heads

The Dimar line of planer cutter heads include two groups:

The rough planing head group which provide a semi-finished surface cutting result, include a special design, a hard wearing aluminum body with large spiral gullets to provide fast material removal, small chips are taken away by the vacuum cleaning system and a low noise level.

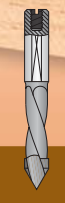
The 14x14 standard tips with 4 cutting edges makes the use of this cutter more cost effective.

These planing heads can also be ordered with special dimensions.

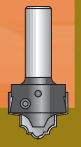
The finish planing head group includes a unique design for fast knife replacement, large gullet space and a special HSS chip flow edge on the wedge in order to maintain smooth chip flow and a long existing lifetime of the cutter parts, with a unique quick clamping system.

All the cutter families can be used with 4 planing knives or with 2 knives and an additional attachment for rounding/chamfering corners.

Drilling



Routing



Custom Tooling



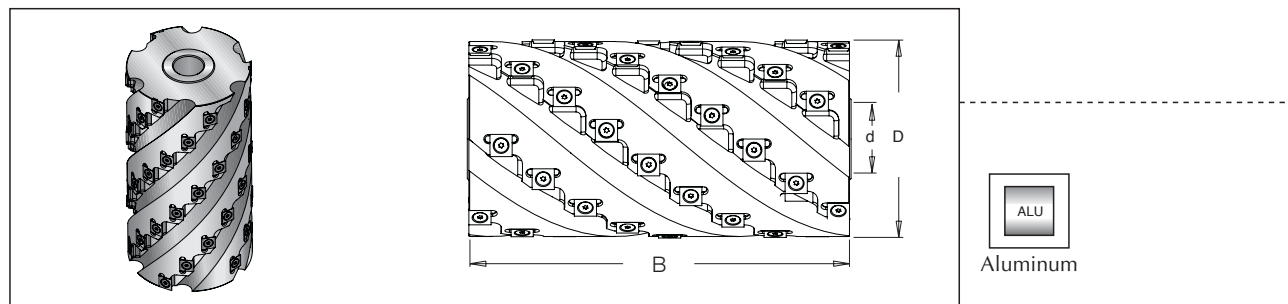
Cutting



Grooving Rebating **Planing** Profiling Jointing Frame & Panel door Lamello Multi Profile system

Roughing cutter planer head with TC disposable blades

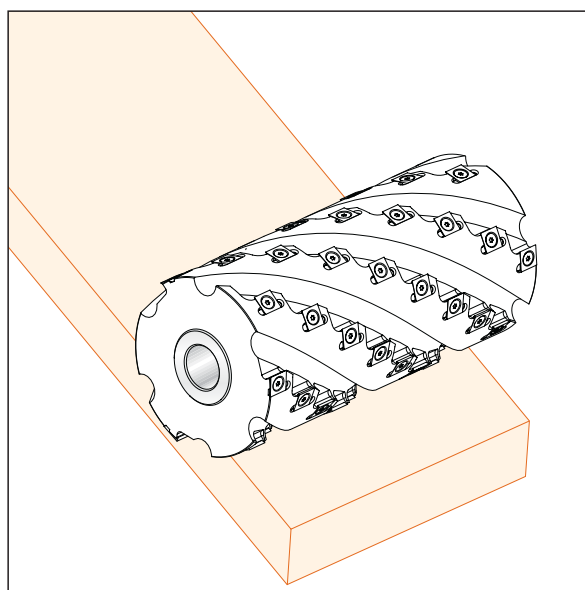
Hard wearing aluminum body complete with spiral positioned disposable TC Knives arranged in 6 flutes. Suitable to remove large volumes of all types of wood with a high feed rate, by creating small chips. Low noise operation and Semi finish surface quality. Can also be ordered with a special dimension.



øD	B	Code No.	Flut No.	Z	ød	n
125	80	7336919	6	18	40	9000
125	100	7336929	6	24	40	9000
125	130	7336939	6	30	40	9000
125	190	7336949	6	45	40	9000
125	210	7336959	6	48	40	9000
125	240	7336969	6	54	40	9000
50-200	20-250	Customer design	4.6		30-50	

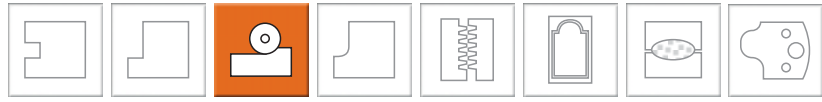
Spare parts:

T.C. Blade	Torx screw	Torx key
#300 850 3	#193 370 0	#194 106 0
14x14x2	M5x6.3	T20





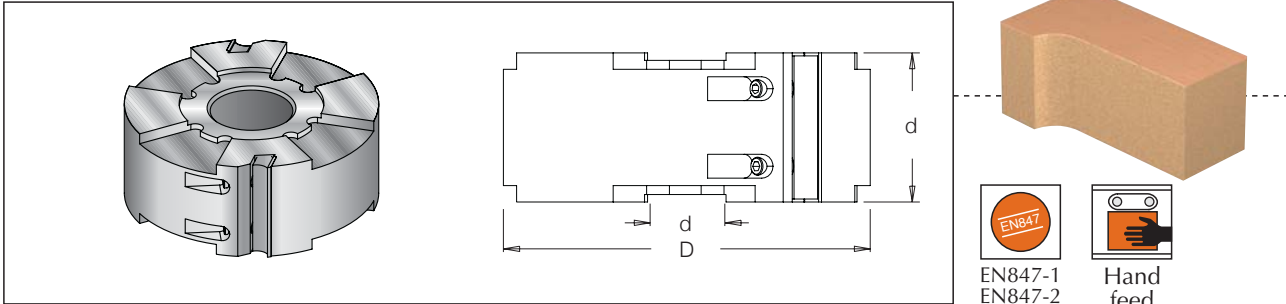
Cutting



Grooving Rebating **Planing** Profiling Jointing Frame & Panel door Lamello Multi Profile system

Sectional planing cutter head

Hard wearing steel body complete with disposable TC knives. Suitable to plan and joint all kinds of glued timber. Cutting height to be chosen and assembled with covered disks.



øD	B	Code No.	Z	ød	n
125	30	733 810 1	2	30	6,100 - 10,300
125	50	733 812 1	2	30	6,100 - 10,300

Spare parts:



T.C. Blade
#310 123 0
30x12x1.5



Wedge
#199 051 0
L=28



Allen screw
#193 026 5
M6x16



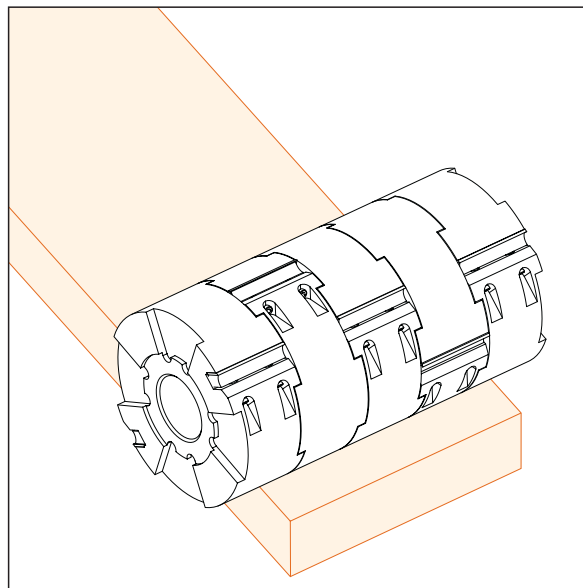
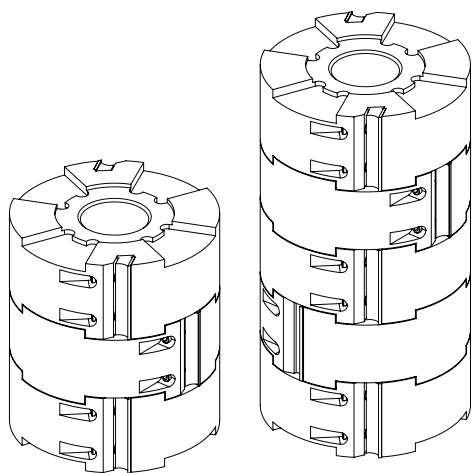
Allen key
#194 003 5
S3

B = 30

B = 50

#310 125 0
50x12x1.5

#199 048 0
L=48



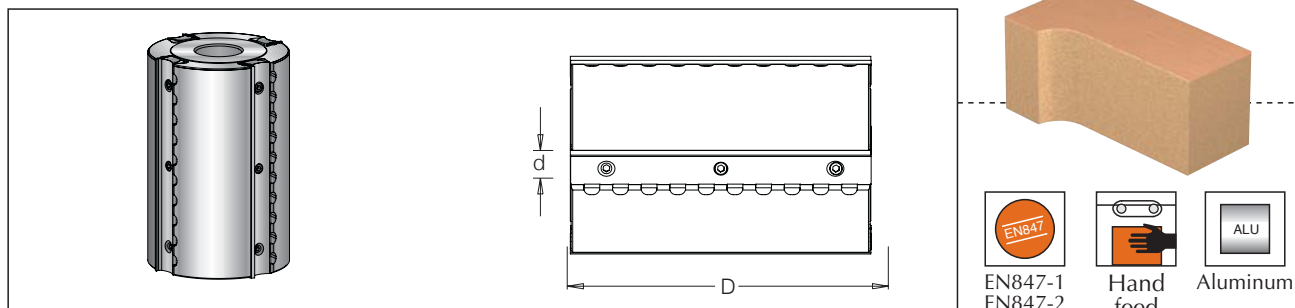
Cutting



Grooving Rebating **Planing** Profiling Jointing Frame & Panel door Lamello Multi Profile system

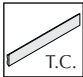

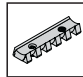

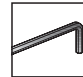
Finish cutter planer head with HSS/TC disposable blades

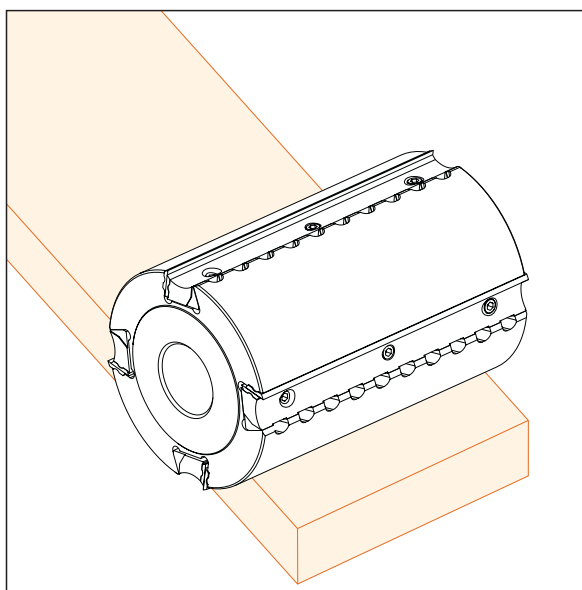
Hard wearing aluminum body complete with four disposable HSS/ TC Knives Quick changing knife option. Large gullet for the high feed operation and a special wedge with a HSS chip flow edge to maintain the life time of the locking wedge. Can also round/chamfer corners with four special TC holders assembled on the cutter instead of two knives.



$\varnothing D$	B	Code No.	Z	$\varnothing d$	n
125	80	7336419	4	40	9000
	100	7336429	4	40	9000
	130	7336439	4	40	9000
	190	7336449	4	40	9000
	210	7336459	4	40	9000
	230	7336479	4	40	9000
	240	7336469	4	40	9000

Spare parts:

	 T.C.	 HSS	 Wedge	 Allen screw	 Allen key
B=80	#310 711 1 80x14x2.5	#310 761 1 80x14x2.5	#199 841 0 L=80	#193 026 6 M8x12	#194 003 6 S4
B=100	#310 711 2 100x14x2.5	#310 761 2 100x14x2.5	#199 842 0 L=100		
B=130	#310 711 3 130x14x2.5	#310 761 3 130x14x2.5	#199 843 0 L=130		
B=190	#310 711 4 190x14x2.5	#310 761 4 190x14x2.5	#199 844 0 L=190		
B=210	#310 711 5 210x14x2.5	#310 761 5 210x14x2.5	#199 845 0 L=210		
B=230	#310 711 7 230x14x2.5	#310 761 7 230x14x2.5	#199 847 0 L=230		
B=240	#310 711 6 240x14x2.5	#310 761 6 240x14x2.5	#199 846 0 L=240		



Index

Sawing

CNC

Cutting

Drilling

Routing

Custom Tooling

Cutting

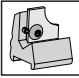
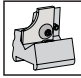
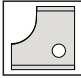
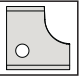

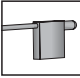
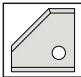
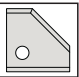


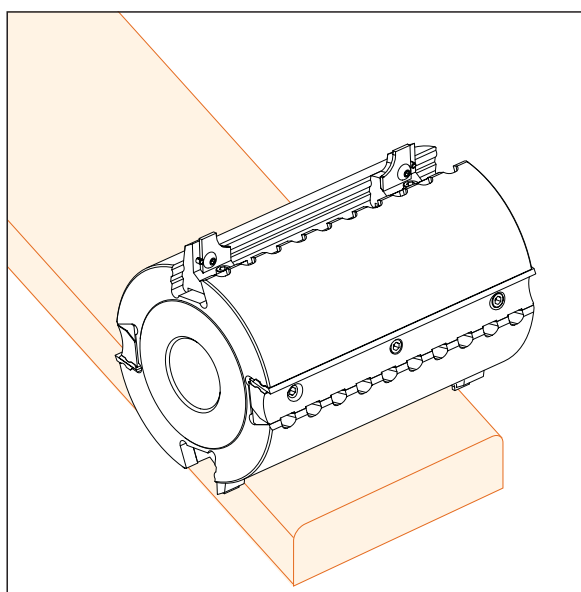
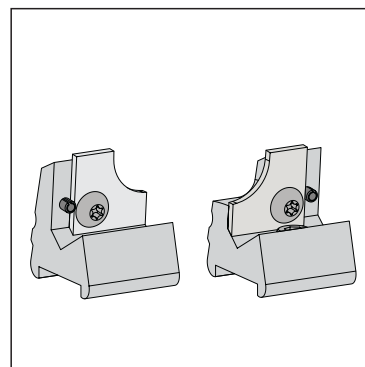
Grooving Rebating **Planing** Profiling Jointing Frame & Panel door Lamello Multi Profile system



Additional options for Finish cutter planer head

Round/chamfer TC holder made from alloy steel can be assembled on the cutter instead of the two knives. Final adjusting of the holder can be done with a laser etched scale on the cutter head.

						
	Left holder	Right holder	T.C. Blade	T.C. Blade	Torx screw	Torx key
R ø3	#199 851 0 25x25x30	#199 850 0 25x25x30	#310 712 0 20x20xR3	#310 712 0L 20x20xR3	#193 395 0 M4x6	#194 101 5 T15
R ø4			#310 712 1 20x20xR4	#310 712 1L 20x20xR4		
R ø5			#310 712 2 20x20xR5	#310 712 2L 20x20xR5		
R ø6			#310 712 3 20x20xR6	#310 712 3L 20x20xR6		
R ø8			#310 712 4 20x20xR8	#310 712 4L 20x20xR8		
R ø10			#310 712 5 20x20xR10	#310 712 5L 20x20xR10		
a 45°			 T.C. Blade #310 712 6 20x20xa45°	 HSS Blade #310 712 6L 20x20xa45°		



Index

Sawing

CNC

Cutting

Drilling

Routing

Custom Tooling